



P.O. Box 129, Naples, Texas
 Phone: 877-897-2371 / Fax: 903-897-2781

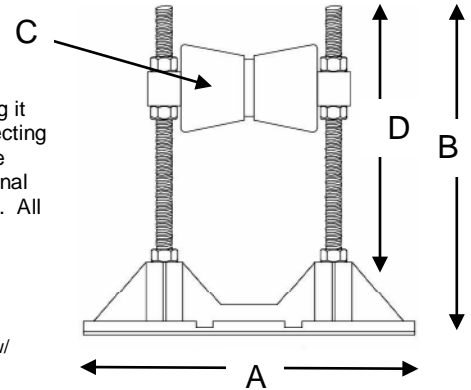
Engineering Submittal Form - Nylon Based Roller Supports

CERTIFIED FOR:

Job Name:	Customer Name:
Location:	Customer P.O.:

Recommended Usage:

This product is designed for use as a free standing; non-penetrating pipe support stand for all plumbing and mechanical piping applications installed on single ply or built-up roofs. When utilized within the recommended loading limits the rubber roller cradles the piping while allowing it the freedom of movement necessary due to thermal expansion of the piping system; thus protecting the roof membrane from the possible abrasive effects of other types of support. The adjustable support models allow piping to be installed level across tapered roofs. The addition of the optional neoprene pad adhered to the base provides additional protection for the roof during installation. All supports are available with optional MWP Series- 1/2" Walk Pad and adhesive for "in the field" application. (See Accessories Section of List Price Guide)



Standard Composition:

Support Base is injection molded 33% Fiberglass Reinforced 6/6 Nylon with highly dispersed carbon black providing weathering resistance and UV stabilization. All stainless steel hardware; a hard cast rubber roller w/ stainless steel shaft & nylon bushing;

MAPA Products Supports are designed and manufactured in accordance with MSS SP-58-2002 and MSS SP-69-2002.
 Structural series supports are manufactured to conform also to MSS SP-127-2001.

Refer to MAPA Products "Recommended Installation Guidelines" for standard installation and spacing recommendations.

Nylon Based Roller Support Models	+ Pipe Size IPS		Maximum Load	A Base Dimension	B Adj. Rod Assembly (304 SS ATR)	C Roller Assembly (SBR Roller)	D Maximum Adjustability
	R	A					
MS-5RA14	4	5	140 lbs	6" x 12"	1/2"x14"	SS Collars w/ SS-ATR	3"-14"
MS-5RA10	4	5	165 lbs	6" x 12"	1/2"x10"	SS Collars w/ SS-ATR	3"-10"
MS-5RA7	4	5	165 lbs	6" x 12"	1/2"x7"	SS Collars w/ SS-ATR	3"-7"
MS-5RF3	4	5	165 lbs	6" x 12"	NA	SS Collars w/ SS-ATR	3" Fixed
MS-4RA14	3	4	119 lbs	5" x 10"	3/8"x14"	SS Collars w/ SS-ATR	3"-14"
MS-4RA10	3	4	140 lbs	5" x 10"	3/8"x10"	SS Collars w/ SS-ATR	3"-10"
MS-4RA7	3	4	140 lbs	5" x 10"	3/8"x7"	SS Collars w/ SS-ATR	3"-7"
MS-4RF3	3	4	140 lbs	5" x 10"	NA	Nylon Collars w/ SS-ATR	3" Fixed
MS-3RA12	3	4	140 lbs	5" x 10"	3/8"x12"	SS Collars w/ SS-ATR	3"-12"
MS-3RA7	3	4	140 lbs	5" x 10"	3/8"x7"	SS Collars w/ SS-ATR	3"-7"
MS-2.5RA7	3	4	140 lbs	5" x 10"	5/16"x7"	Nylon Collars w/ SS ATR	3"-7"
MT-2RA6	2	3	110 lbs.	5" x 8"	5/16"x6"	Nylon Collars w/ SS ATR	3"-6"
MT-2RF4	2	3	110 lbs.	5" x 8"	NA	Nylon Collars w/ SS ATR	4" Fixed

+ (Recommended / Accommodates)

Optional: (See Accessories in Catalog and specify desired model.)

- Add Suffix "P" .125 neoprene pad.
- (WP) Add 1/2" thick rubber walk pad.
- Add Pipe Strap-Stainless steel pipe strap.

Warranty:

MAPA will repair or replace any defective parts or workmanship of this product for a period of three years from date of delivery. Rusting that is not detrimental to the integrity of the support is not warranted. Damage caused by incorrect installation or improper usage is not warranted. Recovery rights shall be limited to the total sum of the amounts paid for the product by the purchaser.

Limits of Liability:

MAPA's liability shall be limited to costs of repair or replacement parts. Supports are not intended for usage other than those expressly described in this brochure. MAPA shall not be liable for damage or injury caused by the improper use of the product.

CERTIFICATION DATA							
Support Pad Options							
Model	QTY	NP	P	WP	Pipe Size	Service	Notes & Options
		<input type="checkbox"/>	<input type="checkbox"/>	<input type="checkbox"/>			
		<input type="checkbox"/>	<input type="checkbox"/>	<input type="checkbox"/>			
		<input type="checkbox"/>	<input type="checkbox"/>	<input type="checkbox"/>			
		<input type="checkbox"/>	<input type="checkbox"/>	<input type="checkbox"/>			
		<input type="checkbox"/>	<input type="checkbox"/>	<input type="checkbox"/>			
DRAWN	CHECKED			DATE	DWG.NO.		